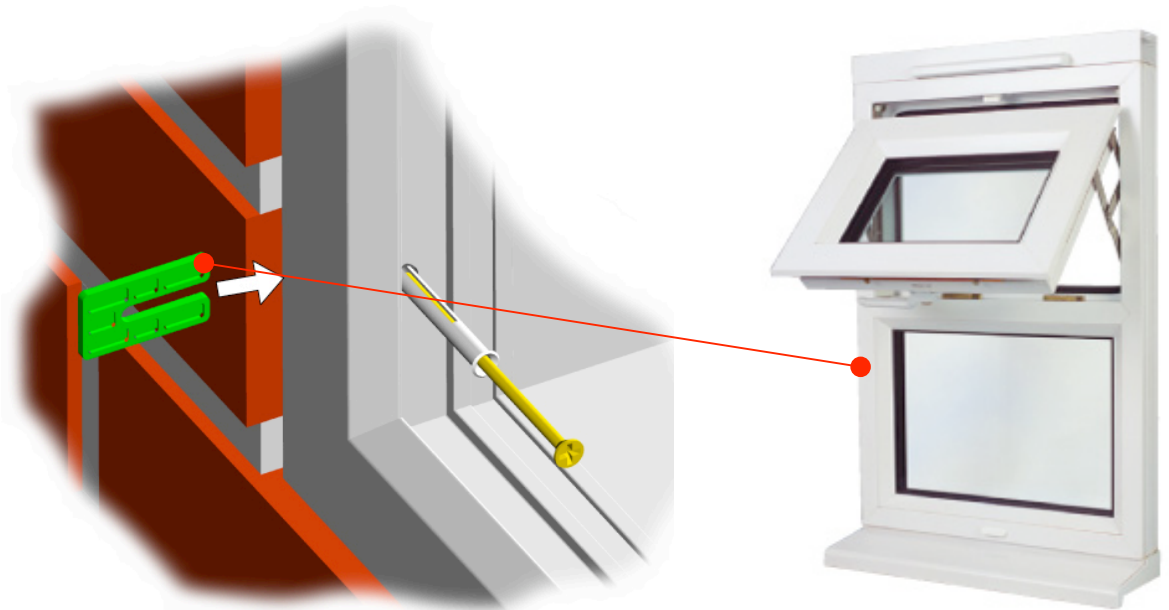
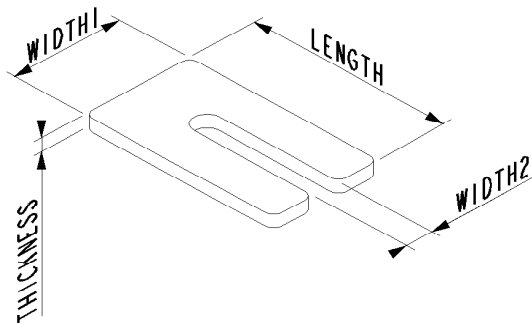


PARTNo	L	W1	W2	T	MATL	COLOUR
625001	96	25	6.6	1	PP	GREY
628001	34	28	9.8	1.5	PP	ORANGE
628003	34	28	9.8	3	PP	GREEN
630001	76	30	11	1.5	PP	BLACK
630003	76	30	11	3	PP	BLUE
631001	116	30	11	1.5	PP	BLUE
631003	116	30	11	3	PP	CHOC.BROWN
634001	50	34	12	1.5	PP	YELLOW
634003	50	34	12	3	PP	RED
634005	50	34	12	5	PP	BLACK
640301	30	40	10	1	PP	YELLOW
640302	30	40	10	2	PP	WHITE
640303	30	40	10	3	PP	GREEN
640305	30	40	10	5	PP	BLACK

PARTNo	L	W1	W2	T	MATL	COLOUR
645001	25	45	6	1.5	PP	YELLOW
645003	25	45	6	3	PP	GREEN
645006	25	45	6	6	PP	ORANGE
650101	100	45	14	1.5	PP	WHITE
650103	100	45	14	3	PP	GREY
650105	100	45	14	5	PP	BLACK
653001	60	45	14	1	PP	WHITE
653002	60	45	14	2	PP	RED
653003	60	45	14	3	PP	GREY
653004	60	45	14	4	PP	GREEN
653005	60	45	14	5	PP	BLACK
653006	60	45	14	6	PP	BLUE
653010	60	45	14	10	PP	NATURAL

**L = Length**  
**W1 = Width1**  
**W2 = Width2**  
**T = Thickness**



For more information visit:  
[www.glazpart.com](http://www.glazpart.com)