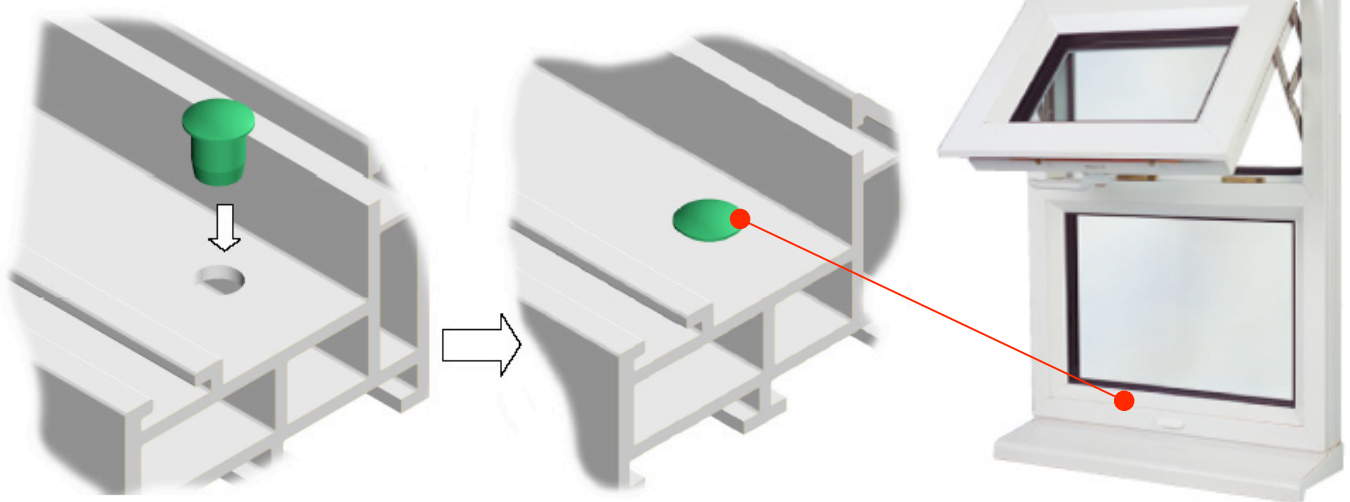
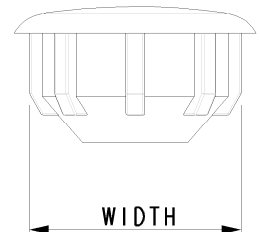
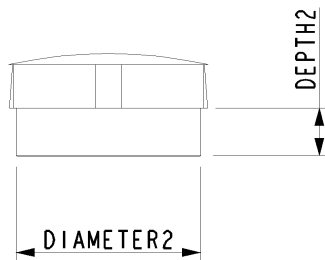
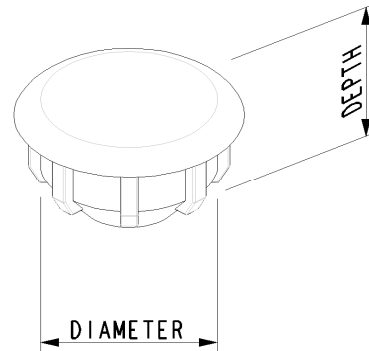
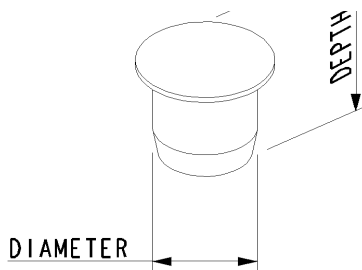


PARTNo	Ø	Ø2	D1	D2	MATL	COLOUR
800131	13	12.2	9	4.3	PP	WHITE
800132	13	12.2	9	4.3	PP	BROWN
800133	13	12.2	9	4.3	PP	BLACK
800161	15.5	15	9	4.3	PP	WHITE
800162	15.5	15	9	4.3	PP	BROWN
800163	15.5	15	9	4.3	PP	BLACK
800191	18.6	18.2	9.4	4.3	PP	WHITE
800192	18.6	18.2	9.4	11	PP	BROWN
800193	18.6	18.2	9.4	11	PP	BLACK

PARTNo	Ø	W	D	MATL	COLOUR
800851	9.8	7.7	11.1	ABS	BLACK

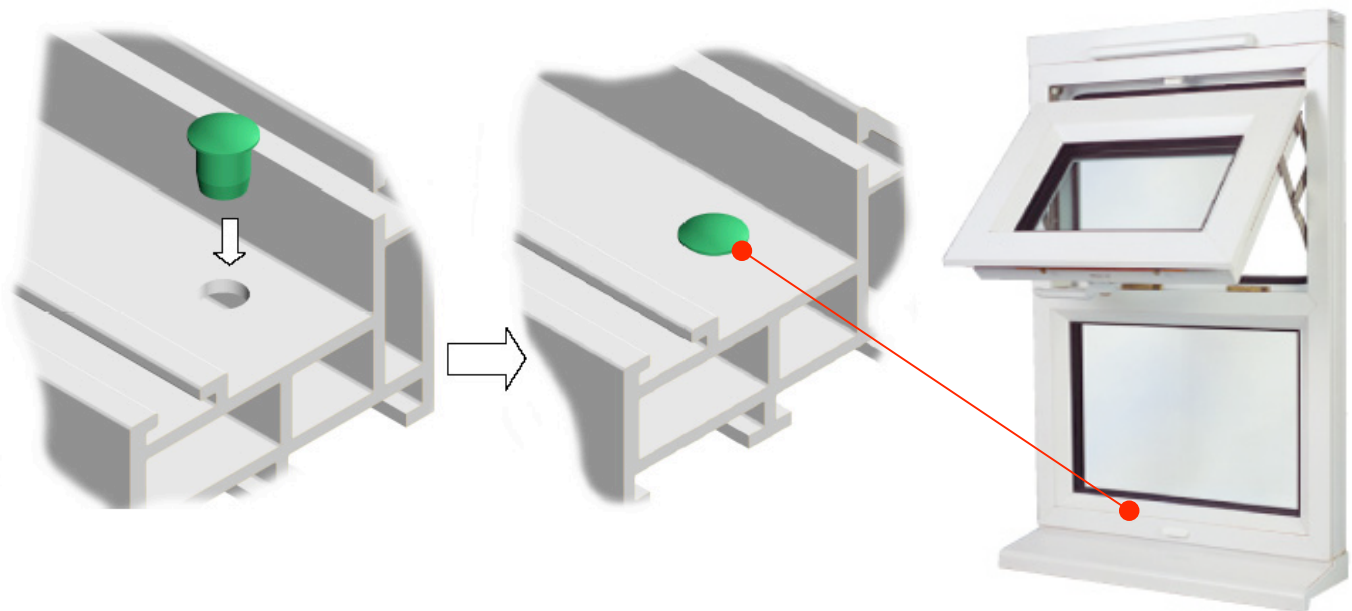
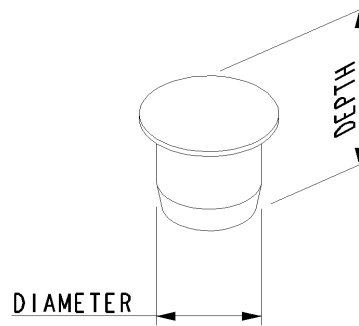
Ø = Diameter
Ø2 = Diameter2
D1 = Depth1
D2 = Depth2
W = Width



For more information visit:
www.glazpart.com

PARTNo	Ø	D	MATL	COLOUR
800081	8.3	11	PA6	WHITE
800082	8.3	11	PA6	BROWN
800083	8.3	11	PA6	BLACK
800087	8.3	11	PA6	OAK BRN
800101	10	11	PA6	WHITE
800102	10	11	PA6	BROWN
800103	10	11	PA6	BLACK
800112	10	11	PA6	OAK BRN
800107	10	11	PA6	GREY
800134	13.2	14.4	PP	WHITE
800135	13.2	14.4	PP	BLACK
800136	13.2	14.4	PP	BLACK
800139	13	14.2	LDPE	WHITE
800140	13	14.2	LDPE	BROWN
800141	13	14.2	LDPE	BLACK
800164	16.2	14.5	PA6	WHITE
800165	16.2	14.5	PA6	BROWN
800167	16.2	14.5	PA6	WHITE

Ø = Diameter
Ø2 = Diameter2
D1 = Depth1
D2 = Depth2

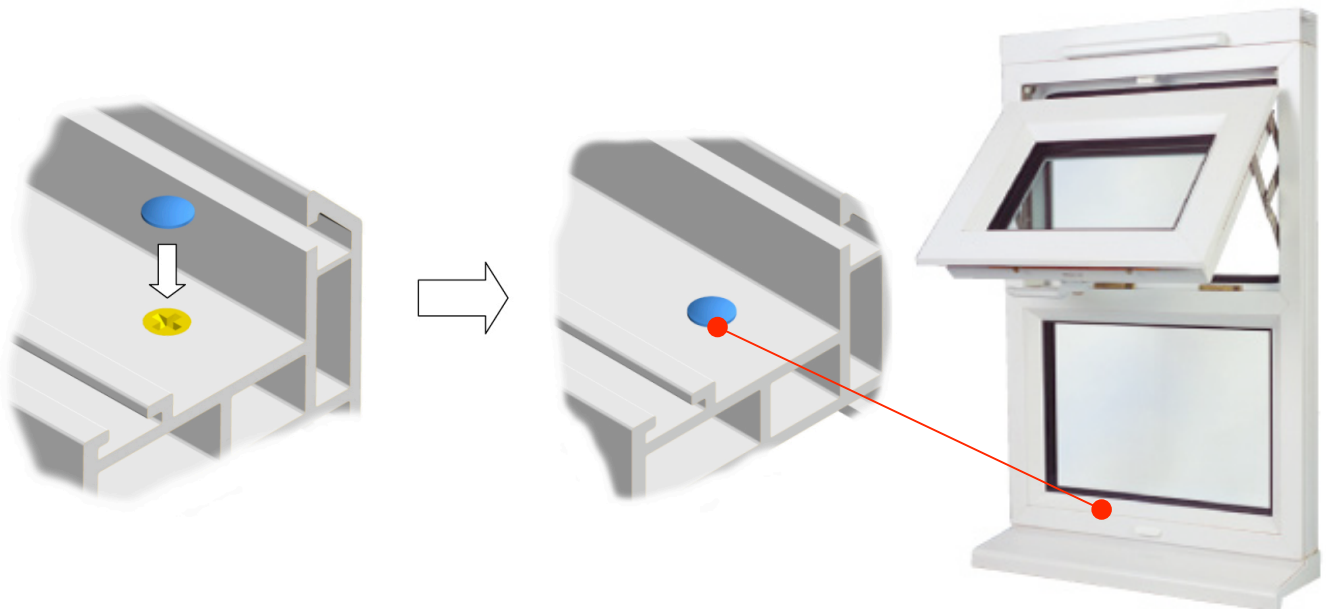
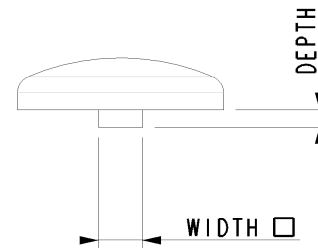
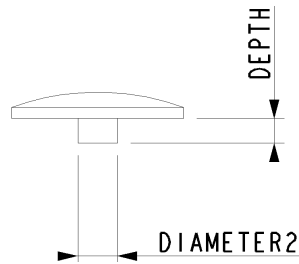
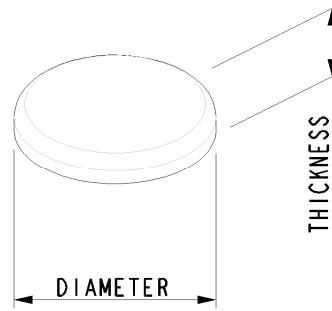
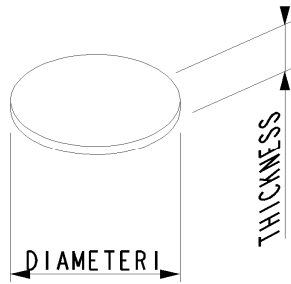


For more information visit:
www.glazpart.com

PARTNo	Ø	Ø2	T	D	MATL	COLOUR
820081	8.7	2	2.8	1.4	PP	WHITE
820082	8.7	2	2.8	1.4	PP	BROWN
820083	8.7	2	2.8	1.4	PP	BLACK
820084	8.7	2	2.8	1.4	PP	OAK BRN

PARTNo	Ø	W_	T	D	MATL	COLOUR
820101	11.2	2.4	4	1	PA6	WHITE
820102	11.2	2.4	4	1	PA6	BROWN
820103	11.2	2.4	4	1	PA6	BLACK

Ø = Diameter
Ø2 = Diameter2
D = Depth
T = Thickness
W = Width

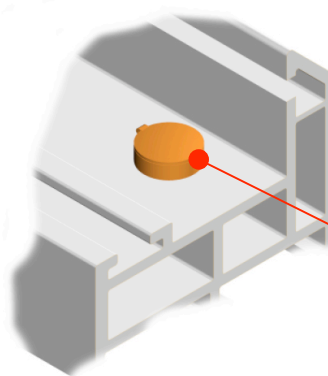
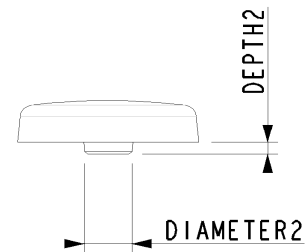
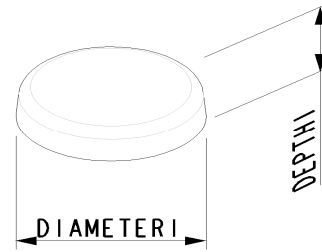
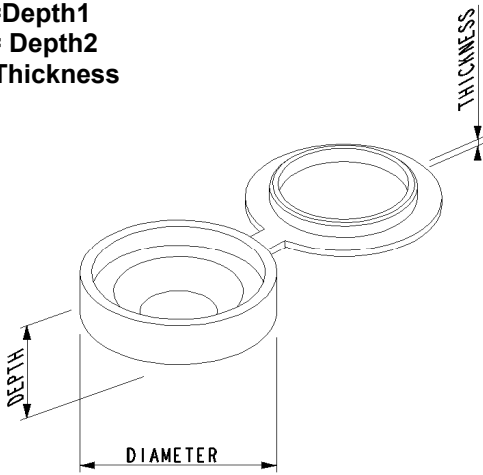


For more information visit:
www.glazpart.com

PARTNo	Ø	T	D	MATL	COLOUR
810101	13.5	0.6	3.5	PP	WHITE
810102	13.5	0.6	3.5	PP	BROWN
810103	13.5	0.6	3.5	PP	BLACK
810109	13.5	0.6	3.5	PP	OAK BRN
810121	16.6	0.6	4.3	PA6	WHITE
810122	16.6	0.6	4.3	PA6	BROWN
810123	16.6	0.6	4.3	PA6	BLACK

PARTNo	Ø	Ø2	D1	D2	MATL	COLOUR
800125	13.9	3.8	3.5	1	PA6	WHITE
800126	13.9	3.8	3.5	1	PA6	BROWN

Ø = Diameter1
Ø2 = Diameter2
D1 =Depth1
D2 = Depth2
T = Thickness



For more information visit:
www.glazpart.com